






AC ADAPTER PART NUMBER CONFIGURATION

WALL MOUNT TYPE AC ADAPTER

TRXXX -	X	-	XX	X	XX
Model No.	AC Plug Type		DC Plug Type	OVP Option	DC Cable Length and Type
A : USA 2 Pin			Straight/Inner+Outer-	A: Without OVP Option	01: 720mm
E : Europe 2 Pin			Right Angle/Inner+Outer-	E: With OVP Option	02: 1220mm
U : British 3 Pin					03: 1800mm
S : Australia 2 Pin					11: 720mm with Ferrite Core
			11 : 5.5 x 2.1 x 12mm		12: 1220mm with Ferrite Core
			12 : 5.5 x 2.5 x 12mm		13: 1800mm with Ferrite Core
			18 : 5.5 x 2.5 x 11mm		
			23 : 5.5 x 2.1 x 9.5mm		
			26 : 5.5 x 2.5 x 9.5mm		
			32 : 5.5 x 2.1 x 7.5mm		
			33 : 5.5 x 2.1 x 11.5mm		
			35 : 4.0 x 1.7 x 9.5mm		
			37 : 5.5 x 2.5 x 7.5mm		
			39 : 3.5 x 1.35 x 9mm		
			41 : 3.5 x 1.35 x 7.5mm		
			45 : 4.75 x 1.7 x 9.5mm		
			50 : 4.0 x 1.7 x 11mm		
			01 : 5.5 x 2.1 x 12mm		
			02 : 5.5 x 2.5 x 12mm		
			17 : 5.5 x 2.1 x 11mm		
			19 : 5.5 x 2.5 x 10.5mm		
			20 : 5.5 x 2.5 x 9mm		
			21 : 5.5 x 2.5 x 9.5mm		
			24 : 5.5 x 2.1 x 9.5mm		
			31 : 3.5 x 1.35 x 7.5mm		
			34 : 5.5 x 2.1 x 11.5mm		
			36 : 3.5 x 1.35 x 9mm		
			40 : 4.0 x 1.7 x 9.5mm		
			42 : 3.5 x 1.35 x 9.5mm		
			46 : 4.0 x 1.7 x 12mm		
			48 : 5 x 1.5 x 9.5mm		
			49 : 2.35 x 0.7 x 9.5mm		
			Straight/Inner-Outer+		
					
			05 : 5.5 x 2.1 x 12mm		
			13 : 5.5 x 2.1 x 12mm		
			14 : 5.5 x 2.5 x 12mm		
			27 : 5.5 x 2.5 x 9.5mm		
			Right Angle / Inner-Outer+		
					
			03 : 5.5 x 2.1 x 12mm		
			04 : 5.5 x 2.5 x 12mm		
			16 : 5.5 x 2.1 x 11mm		
			22 : 5.5 x 2.5 x 9.5mm		
			43 : 5.5 x 2.1 x 9.5mm		
			44 : 3.5 x 1.35 x 7.5mm		
			105 : 3.5 x 1.05 x 9.5mm		
			111 : 3.5 x 1.35 x 9.5mm		
			122 : 3.5 x 1.35 x 12mm		
			141 : 5.5 x 2.1 x 11mm		
			150 : 3.5 x 1.35 x 9mm		
			317 : 5.5 x 2.5 x 9mm		

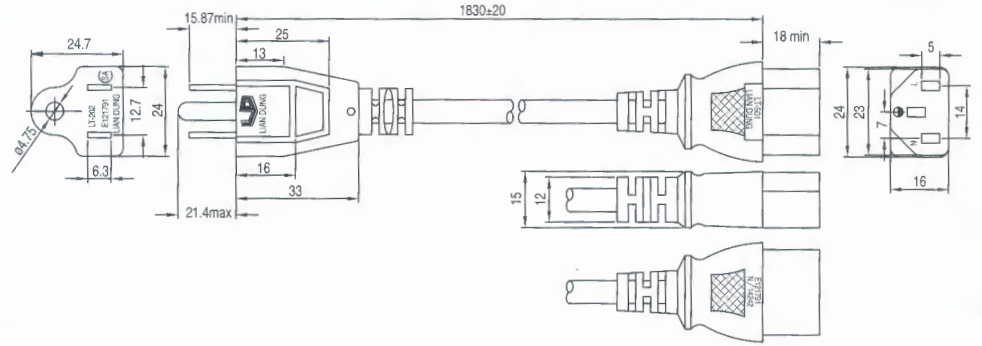
DESK TOP TYPE AC ADAPTER

TRXXXX -		XX	X	XX
Model No.		DC Plug Type	OVP Option	DC Cable Length and Type
		Straight/Inner+Outer-	A: Without OVP Option	01: 720mm
		Right Angle/Inner+Outer-	E: With OVP Option	02: 1220mm
				03: 1800mm
				11: 720mm with Ferrite Core
		11 : 5.5 x 2.1 x 12mm		12: 1220mm with Ferrite Core
		12 : 5.5 x 2.5 x 12mm		13: 1800mm with Ferrite Core
		18 : 5.5 x 2.5 x 11mm		
		23 : 5.5 x 2.1 x 9.5mm		
		26 : 5.5 x 2.5 x 9.5mm		
		32 : 5.5 x 2.1 x 7.5mm		
		33 : 5.5 x 2.1 x 11.5mm		
		35 : 4.0 x 1.7 x 9.5mm		
		37 : 5.5 x 2.5 x 7.5mm		
		39 : 3.5 x 1.35 x 9mm		
		41 : 3.5 x 1.35 x 7.5mm		
		45 : 4.75 x 1.7 x 9.5mm		
		50 : 4.0 x 1.7 x 11mm		
		01 : 5.5 x 2.1 x 12mm		
		02 : 5.5 x 2.5 x 12mm		
		17 : 5.5 x 2.1 x 11mm		
		19 : 5.5 x 2.5 x 10.5mm		
		20 : 5.5 x 2.5 x 9mm		
		21 : 5.5 x 2.5 x 9.5mm		
		24 : 5.5 x 2.1 x 9.5mm		
		31 : 3.5 x 1.35 x 7.5mm		
		34 : 5.5 x 2.1 x 11.5mm		
		36 : 3.5 x 1.35 x 9mm		
		40 : 4.0 x 1.7 x 9.5mm		
		42 : 3.5 x 1.35 x 9.5mm		
		46 : 4.0 x 1.7 x 12mm		
		48 : 5 x 1.5 x 9.5mm		
		49 : 2.35 x 0.7 x 9.5mm		
		Straight/Inner-Outer+		
				
		05 : 5.5 x 2.1 x 12mm		
		13 : 5.5 x 2.1 x 12mm		
		14 : 5.5 x 2.5 x 12mm		
		27 : 5.5 x 2.5 x 9.5mm		
		Right Angle/Inner-Outer+		
				
		03 : 5.5 x 2.1 x 12mm		
		04 : 5.5 x 2.5 x 12mm		
		16 : 5.5 x 2.1 x 11mm		
		22 : 5.5 x 2.5 x 9.5mm		
		43 : 5.5 x 2.1 x 9.5mm		
		44 : 3.5 x 1.35 x 7.5mm		

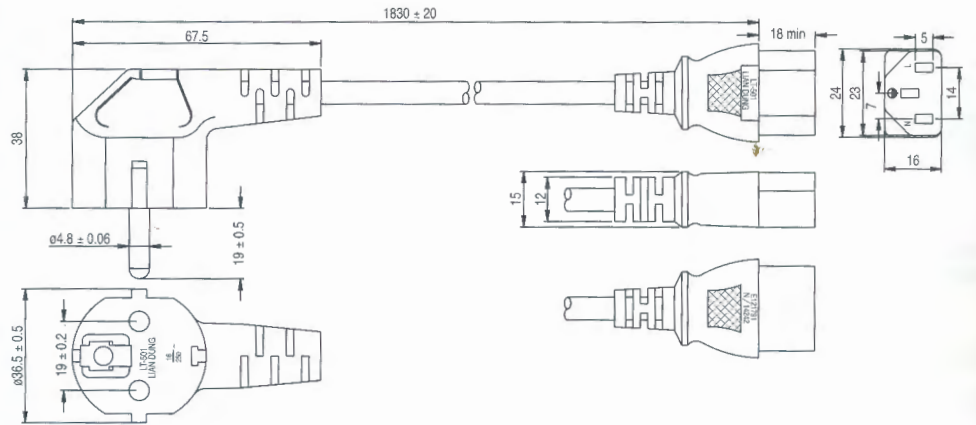
Cincon offers a wide variety of DC plugs for every customers.
Please contact your distributor or E-Mail sales@cincon.com.tw for more information.

AC POWER CORDS

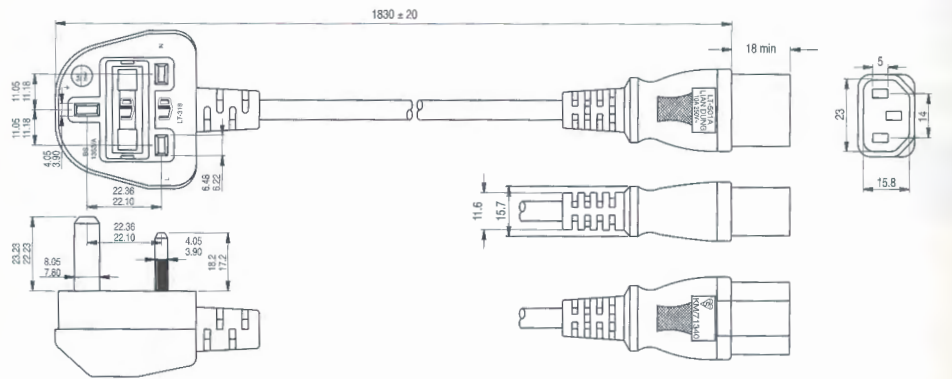
C13+US Plug
P/N: G7472205014
LT-202+501



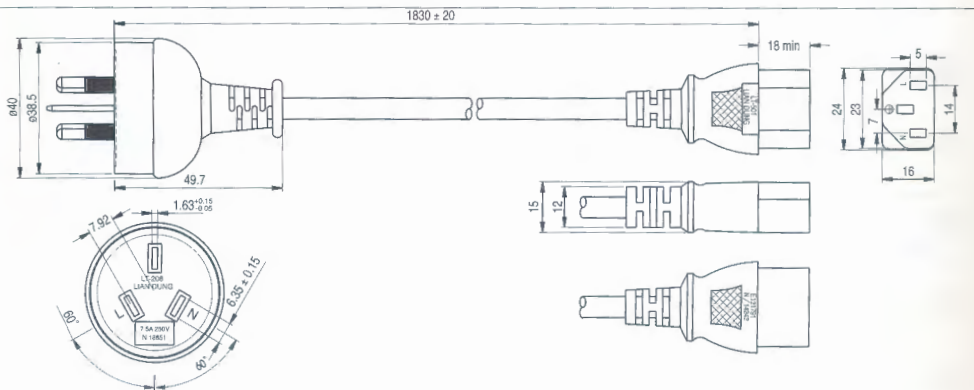
C13+European Plug
P/N: G7472205414
LT-322+501



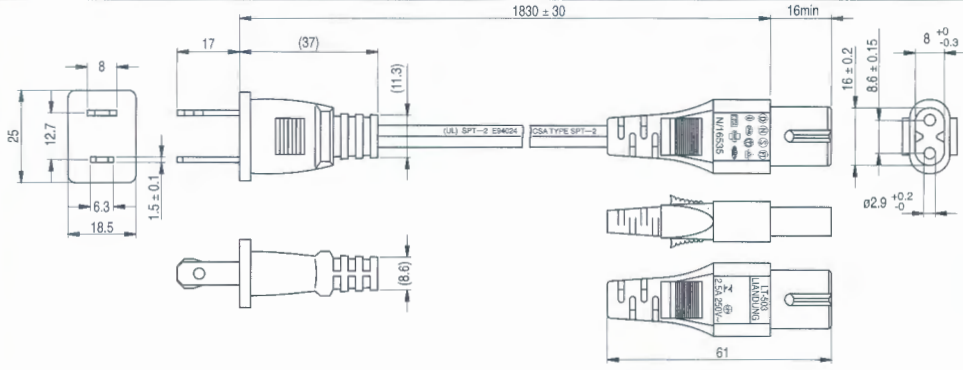
C13+UK Plug
P/N: G7472206214
LT-318+501A



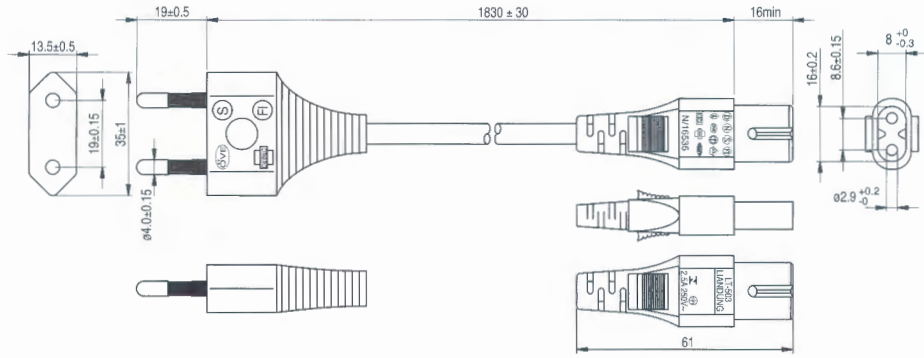
C13+Australian Plug
P/N: G7472205514
LT-208+501



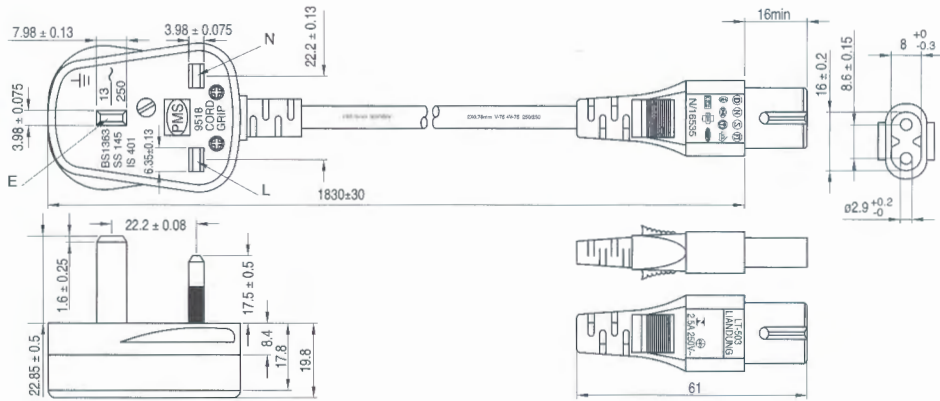
C7+US Plug
 P/N: G7476205014
 LT-301+503



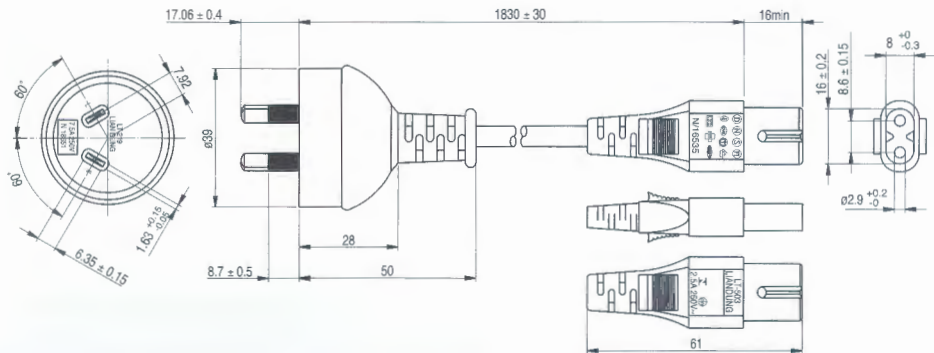
C7+European Plug
 P/N: G7472205314
 LT-207+503



C7+UK Plug
 P/N: G7472205214
 LT-317+503



C7+Australian Plug
 P/N: G7472207014
 LT-219+503



AC POWER CORD