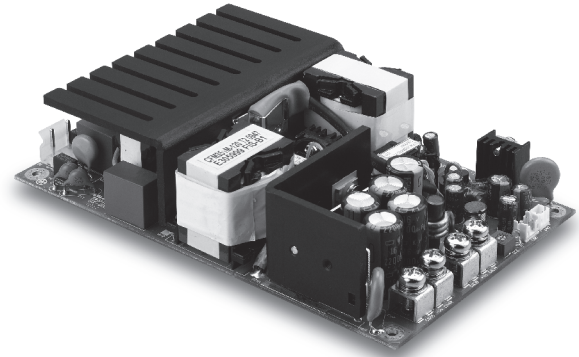


CFM351M

S E R I E S

350 WATT MEDICAL AC-DC POWER SUPPLY WITH PFC



Features

- Universal Input Range 90~264VAC
- Remote Voltage Sense
- Meets EN60601-1 and EN55011 Class B
- PS ON/OFF Remote Control
- 350W with free air convection @ 220Vac
- +5V Stand-by Output Power
- Active PFC Meets EN61000-3-2
- 12V fan output
- High Efficiency Up to 93% Typical
- Meets 2 MOPP

MODEL	OUTPUT VOLTAGE	OUTPUT CURRENT (A)		RIPPLE & NOISE NOTE 1	VOLTAGE ADJ. RANGE	VOLTAGE ACCURACY NOTE 2	LINE REG. NOTE 3	LOAD REG. NOTE 4	% EFF. (Typ.) NOTE 5
		RATED1	RATED2						
Main Output Voltage									
CFM351M050	+5 V	60	40	100 mVp-p	4.75~5.25	±1.0%	±0.5%	±1%	88%
CFM351M120	+12 V	29.2	25	120 mVp-p	11.4~12.6	±1.0%	±0.5%	±1%	92%
CFM351M240	+24 V	14.6	12.5	150 mVp-p	22.8~25.2	±1.0%	±0.5%	±1%	93%
CFM351M480	+48 V	7.3	6.25	150 mVp-p	45.6~50.4	±1.0%	±0.5%	±1%	93%
Standby Output Voltage									
All	+5.0 V	0.3	0.3	—	—	—	—	—	—
Fan Output Voltage									
All	+12.0 V	0.3	0.3	—	—	—	—	—	—

Note: 1. RATED1: 10CFM Air Flow
2. RATED2: Natural Convection (at 110 ~ 200 Vac, refer to derating curve)

Specifications

INPUT SPECIFICATIONS:

AC Input Voltage..... 90~264Vac
 Frequency 47 to 63Hz
 Inrush Current..... 50A max. @240Vac
 Touch current..... 100uA max. @264 Vac
 Earth leakage current..... 300uA max. @264 Vac

OUTPUT SPECIFICATIONS:

Total Rated Output Power 350W
 Remote Voltage Sense Compensates for wire Voltage drop
 Adjustment Range on Vout ±5%
 Hold-up Time 16ms typ.
 Over Voltage Protection Recycle AC input to Restart
 Short Circuit Protection Hiccup mode(Auto Recovery)
 Temperature Coefficient ±0.05%/°C

GENERAL SPECIFICATIONS:

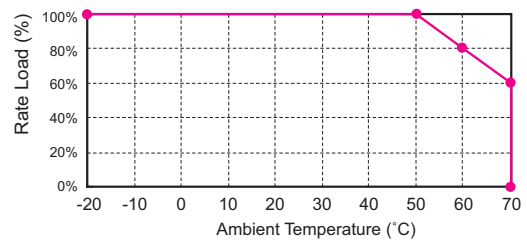
Isolation Input to output = 5656VDC
 Operating Temperature -20~70°C (see Derating Curve)
 Storage Temperature -40~85°C
 Humidity 93% RH max. Non condensing
 Switching Frequency 55kHz Typical
 MTBF MIL-HDBK-217F, GB, 25°C/115VAC 80K hrs typ.
 Altitude 3000m
 Dimensions 6.500x4.000x1.516 inches (165.00x101.60x38.60 mm)
 Weight 640g (1.42Pounds)

SAFETY AND EMC:

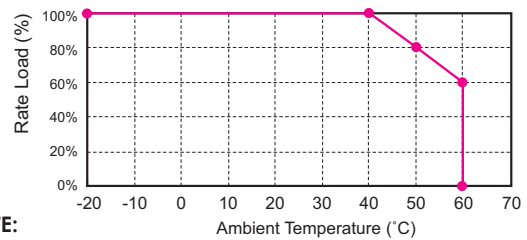
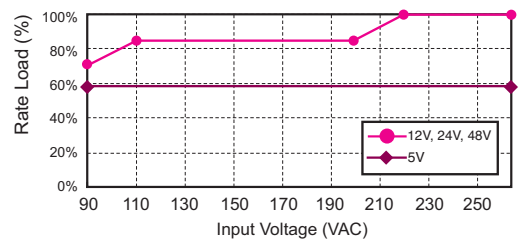
Emission and ImmunityEN55011 Class B, FCC Part 15 Class B
 EN60601-1-2, EN61000-3-2, EN61000-3-3
 SafetyIEC60601-1:2005, EN60601-1: 2006
 ANSI/AAMI ES60601-1: 2005

CFM351M Series Derating Curve

350W With 10CFM Air Flow



350W With Natural Convection



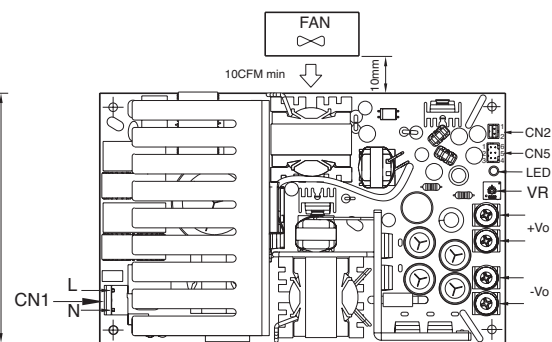
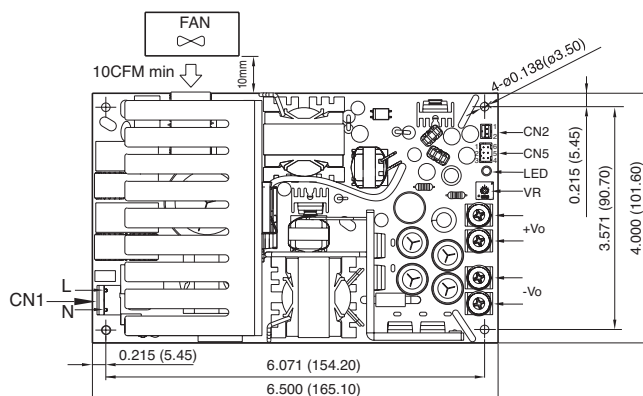
NOTE:

1. Add a 0.1µF ceramic capacitor and a 47µF E.L. capacitor to output for Ripple & Noise measuring @20MHz BW.
2. Voltage accuracy is set at 60% rated load and 25°C Ta.
3. Line regulation is measured from High Line to Low Line with rated load.
4. Load regulation is measured at 60% ± 40% rated load.
5. Typical efficiency at 230 VAC and full load at 25°C.
6. CN1: Molex 5273-03A Series or Equivalent
 CN2: JST B2B-PH-K-S or Equivalent
 CN5: Tyco 1470109-6 series or Equivalent

CFM351M

Mechanical Specification

All Dimensions In Inches(mm)
 Tolerance Inches: x.xx= ±0.04, X.XXX= ±0.010
 Millimeters: x.x= ±1.0, X.XX= ±0.25



FAN location for CFM351M050 only

CN5:

PIN CONNECTION			
Pin	Function	Pin	Function
1	GND	4	-SENSE
2	+5VSB	5	ENABLE
3	+SENSE	6	GND

CN2:

PIN CONNECTION	
Pin	Function
1	FAN Output+
2	FAN Output-

Note: Pull down Enable to activate the PSU