

Features:

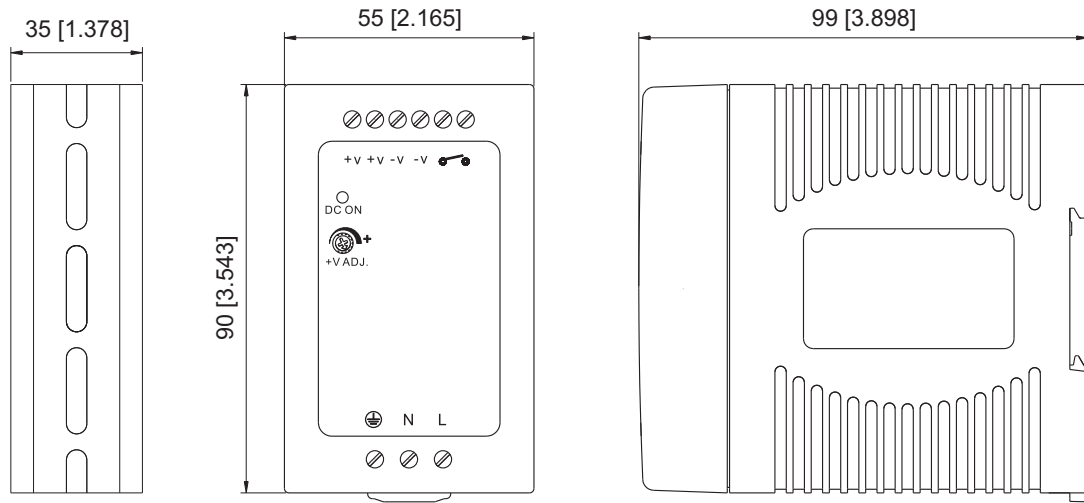
- Universal AC input / Full range
- Installed on DIN rail TS-35 / 7.5 or 15
- Built-in active PFC function
- Brown-out protection
- Protection: SCP, OLP, OVP
- High operation temperature up to 70°C
- True DC OK signal output
- Withstand 2G vibration test
- UL 508 (Industrial control equipment) listed
- UL 1310 Class 2 Power unit / LPS pass
- 3 years warranty



MODEL		DN-100-12	DN-100-15	DN-100-24	DN-100-48
Output	DC Voltage Range	12V	15V	24V	48V
	Rated Current	7.5A	6.4A	4A	2A
	Current Range	0 ~ 7.5A	0 ~ 6.4A	0 ~ 4A	0 ~ 2A
	Rated Power	90W	96W	96W	96W
	Ripple & Noise (Max.)	Note.2 180mVp-p	180mVp-p	180mVp-p	250mVp-p
	Voltage Adj. Range	10.8 ~ 13.2V	13.5 ~ 16.5V	21.6 ~ 26.4V	43.2 ~ 52.8V
	Voltage Tolerance	Note.3 ±1%	±1%	±1%	±1%
	Line Regulation	±1%	±1%	±1%	±1%
	Load Regulation	±2%	±2%	±2%	±2%
	Setup, Rise Time	< 800ms, < 40ms / 230VAC at full load			
Hold Up Time (Typ.)	> 32ms / 230VAC, > 16ms / 115VAC at full load				
Input	Voltage Range	Note.4 88 ~ 264VAC, 124 ~ 370VDC			
	Frequency Range	47 ~ 63Hz			
	Power Factor (Typ.)	< 0.92 / 230VAC, < 0.98 / 115VAC at full load			
	Efficiency (Typ.)	87%	87%	88%	87%
	AC Current (Typ.)	1.1 A / 115VAC, 0.55A / 230VAC			
	Inrush Current (Typ.)	COLD START 30A / 115VAC, 60A / 230VAC			
Leakage Current	< 1mA / 230VAC				
Protection	Over Load	> 102% rated output power Protection type: constant current limit, recovers automatically after fault condition is removed			
	Over Voltage	115 ~ 150% rated output voltage Protection type: latch-off mode			
Environment	Working Temp.	-20 ~ +70°C (Refer to de-rating curve)			
	Working Humidity	20 ~ 90% RH non-condensing			
	Storage Temp. & Humidity	-40 ~ +85°C, 10 ~ 95% RH			
	Temp. Coefficient	±0.03% / °C (0 ~ 50°C)			
	Vibration	10 ~ 500Hz, 2G 10min. / 1cycle, period for 60min. Each along X, Y, Z axes			
Safety & EMC	Safety Standards	Certified UL 508; EN 60950-1; UL 1310 Class 2 Power Supply			
	Withstand Voltage	I/P-O/P: 4242VDC, I/P-FG: 2121VDC 1minute			
	Isolation Resistance	I/P-O/P, I/P-FG, O/P-FG: 100M Ohms / 500VDC			
	EMI Conduction & Radiation	Certified EN 55022; EN 61000-6-3			
	Harmonic Current	Certified EN 61000-3-2; EN 61000-3-3			
Note.5	EMS Immunity	Certified EN 61204-3; EN 55024; EN 61000-6-1, IEC 61000-4-2, 3, 4, 5, 6, 8, 11			
Others	DC OK signal	Relay contact (24VDC / 1A, 120VAC / 1A)			
	Connection	I/P: 3 poles, O/P: 6 poles screw terminal			
	MTBF	120.4K HRS Certified MIL-HDBK-217F			
	Cooling	Air convection			
	Dimension (WxHxD)	55x90x99 mm / 2.165x3.543x3.898 inch			
	Packing	0.4kg; 21pcs / 9.4kg / 0.6CUFT			
Note	<p>1. All parameters NOT specially mentioned are measured at 230VAC input, rated load and 25°C of ambient temperature.</p> <p>2. Ripple & noise are measured at 20MHz of bandwidth by using a 12" twisted pair-wire terminated with a 0.1uF & 47uF parallel capacitor.</p> <p>3. Tolerance: includes setup time tolerance, line regulation and load regulation.</p> <p>4. De-rating may apply in low input voltage. Please check the de-rating curve for more details.</p> <p>5. The power supply is considered a component which will be installed into a final equipment. The final equipment must be re-confirmed that it still meets EMC directives.</p>				

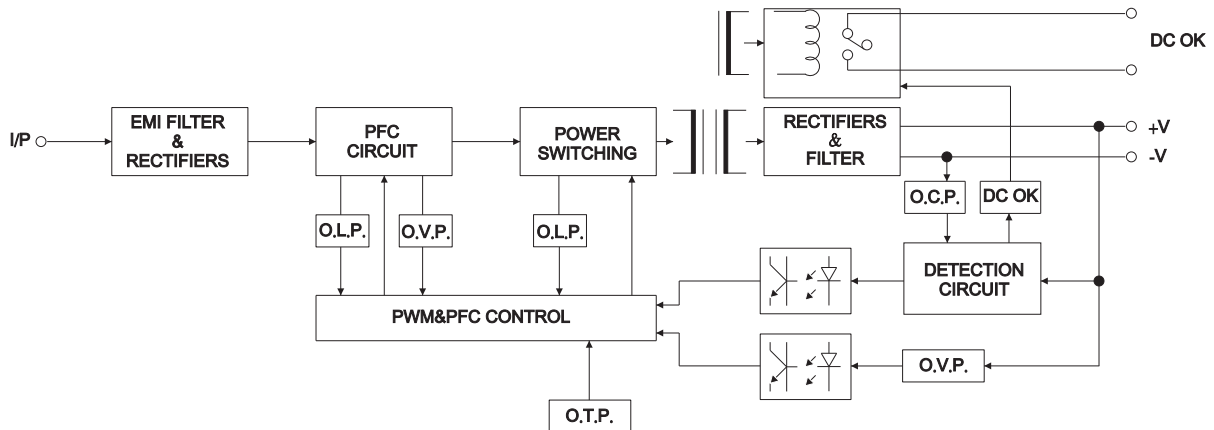
Mechanical Drawings:

Unit : mm / inch



install DIN rail TS-35 / 7.5 or TS-35 / 15

Block Diagram:



DC OK Relay Contact:

Contact Close	When the output voltage reaches the adjusted output voltage
Contact Open	When the output voltage drop below 90% rated output voltage
Contact Ratings (max.)	30V / 1A resistive load

De-rating Curve:

