



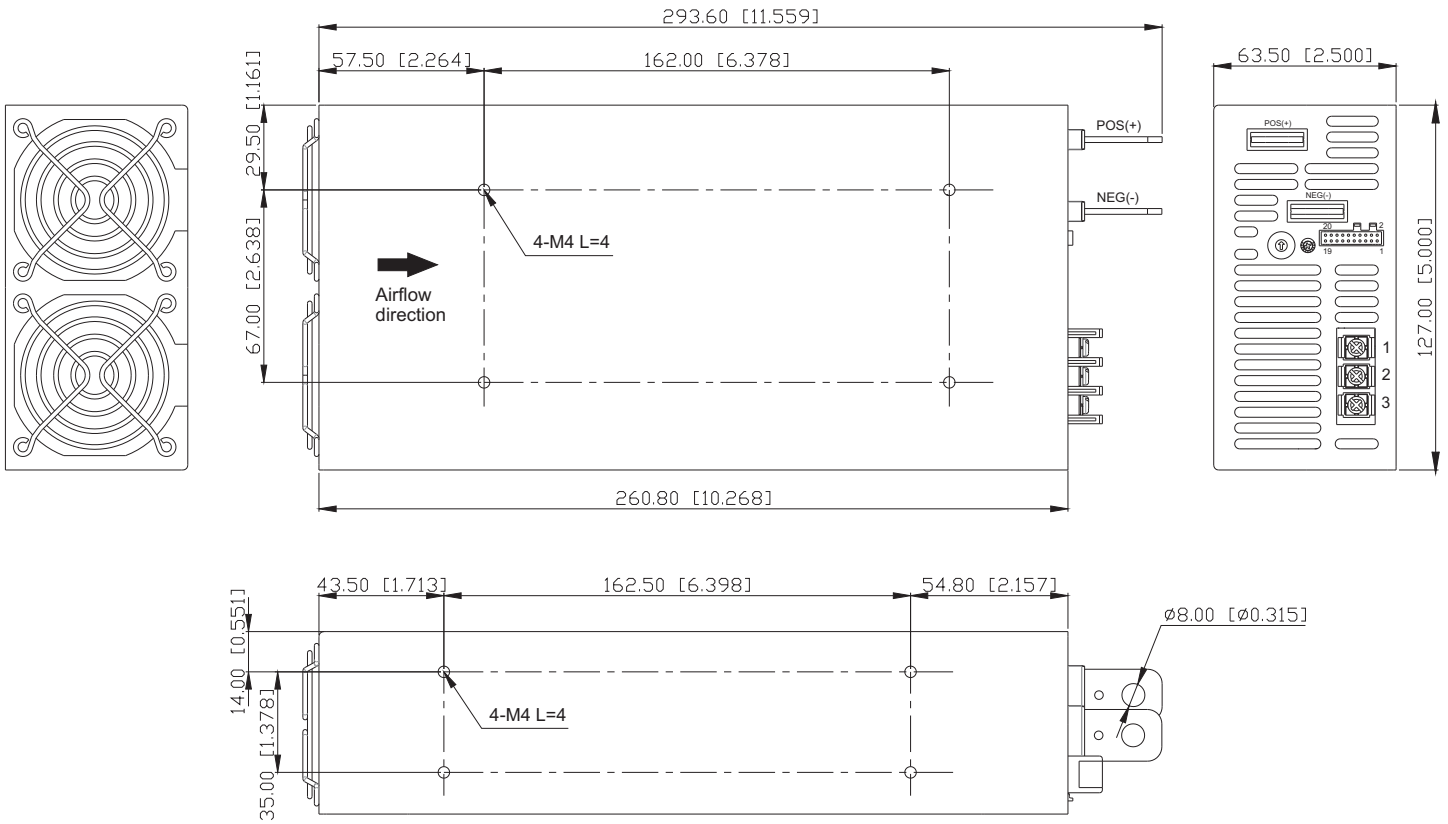
Features :

- Universal AC input with active PFC
- Programmable output Voltage (30% ~ 105%)
- Programmable output Current (40% ~ 105%)
- Medical safety approved
- High efficiency up to 93%
- +5V / 0.5A auxiliary output
- Intelligent LED indicators
- Forced current sharing at parallel operation
- Built-in I²C serial data bus
- Power OK signal (Power good, Logic low)
- Remote ON-OFF, Remote sense function
- Protections : OVP, OLP, OTP, SCP, Fan failure
- 3 years warranty



MODEL		ME-1200-12	ME-1200-15	ME-1200-24	ME-1200-30	ME-1200-36	ME-1200-48	ME-1200-60	
Output	DC Voltage Range	12V	15V	24V	30V	36V	48V	60V	
	Rated Current	100A	80A	50A	40A	33.4A	25A	20A	
	Current Range	0~100A	0~80A	0~50A	0~40A	0~33.4A	0~25A	0~20A	
	Rated Power	1200W	1200W	1200W	1200W	1200W	1200W	1200W	
	Ripple & Noise (Max.)	Note.2 150mVp-p	150mVp-p	150mVp-p	150mVp-p	150mVp-p	150mVp-p	150mVp-p	
	Voltage Adj. Range	±5.0% Typical adjustment by potentiometer. (VR1)							
	Voltage Tolerance	Note.3 ±1.0%							
	Line Regulation	±0.5%							
	Load Regulation	±1.0%							
	Setup, Rise Time	800ms, 50ms at full load							
Hold Up Time (Typ.)	16ms / 230VAC at full load								
Input	Voltage Range	Note.4 90 ~ 264VAC , 127 ~ 370VDC							
	Frequency Range	47 ~ 63Hz							
	Power Factor (Typ.)	0.95 / 230VAC, 0.99 / 115VAC at full load							
	Efficiency (Typ.)	89%	90%	92%	92%	93%	94%		
	AC Current (Typ.)	14.5A / 115VAC, 7A / 230VAC							
	Inrush Current (Typ.)	30A / 115VAC, 45A / 230VAC							
Leakage Current	For Earth < 200uA / 264VAC, For Patient < 100uA / 264VAC								
Protection	Over Load	105 % rated output power							
	Over Voltage	Variable OVP, 125% ± 7% Vout. Protection type: Latch-style (Recovery after reset AC power ON or inhibit)							
	Over Temperature	85°C±5°C detect on heat sink of secondary side Protection type: Shut down o/p voltage (Auto recovery after temperature goes down)							
Function	Auxiliary Power	5V @ 0.5A (+/- 3%)							
	Remote ON/OFF Control	External switch or NPN Transistor to turn ON / OFF							
	Power OK Signal	Open drain signal low when PSU turns on, Max. sink current: 20mA, Max. drain voltage: 40V.							
	Output Voltage Trim	Adjustment of output voltage is between 30 ~ 105% of rated output							
	Output Current Trim	Adjustment of output current is between 40 ~ 105% of rated output							
Parallel (Current Sharing)	Note.5	Please refer to function							
Environment	Working Temp.	-30 ~ +70°C (Refer to output load de-rating curve)							
	Working Humidity	20 ~ 90% R.H non-condensing							
	Storage Temp., Humidity	-40~+85°C, 10 ~95% R.H							
	Temp. Coefficient	±0.02%/°C (0 ~ 50°C)							
	Vibration	Compliance to IEC 68-2-6, IEC 68-2-64							
Safety & EMC	Safety Standards	UL 60601-1							
	Withstand Voltage	I/P-O/P: 4KVAC I/P-FG: 2.0KVAC O/P-FG: 0.5KVAC							
	Isolation Resistance	I/P-O/P, I/P-FG, O/P-FG: 100MΩ / 500VDC							
	EMI Conduction & Radiation	Compliance EN55022 (CISPR22) Class B							
	Harmonic Current	Compliance EN61000-3-2,-3							
EMS Immunity	Compliance EN61000-4-2,3,4,5,6,8,11 ; ENV50204, EN55024, EN61000-6-2,EN61204-3, heavy industry level, criteria A								
Other	Cooling	Controlled by power rating & temperature (Internal ball bearing fan)							
	Dimension (L*W*H)	267x127x63.5 mm / 10.51x5.00x2.50 inch							
	Packing	2 kg ; ???pcs / ???kg / ??? CUFT							
Note	<p>1. All parameters NOT specially mentioned are measured at 230VAC input, rated load and 25°C of ambient temperature.</p> <p>2. Ripple & noise are measured at 20MHz of bandwidth by using a 12" twisted pair-wire terminated with a 0.1uf & 47uf parallel capacitor.</p> <p>3. Tolerance: includes set up tolerance, line regulation and load regulation.</p> <p>4. De-rating may be needed under low input voltages. Please check the de-rating curve for more details.</p> <p>5. In parallel connection, maybe only one unit operate if the total output load is less than 5% of rated load condition.</p> <p>6. The power supply is considered a component which will be installed into a final equipment. The final equipment must be re-confirmed that it still meets EMC directives.</p>								

Mechanical Specification



AC Input Terminal Pin No. Assignment

Pin No.	Assignment
1	ACL
2	ACN
3	\perp

Control pin number assignment

Pin No.	Assignment	Pin No.	Assignment	Pin No.	Assignment	Pin No.	Assignment	Pin No.	Assignment
1	VS+	6	GND	11	EN+	16	GND	21	5VS
2	VO+	7	PAR	12	5VS	17	5VS	22	GND
3	VS-	8	GND	13	ACI	18	GND	23	RXD
4	VO-	9	EN-	14	GND	19	SCL	24	TXD
5	POK	10	GND	15	VCI	20	SDA		

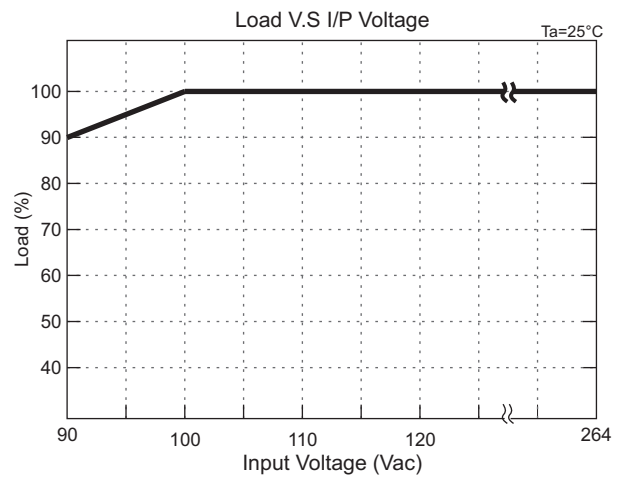
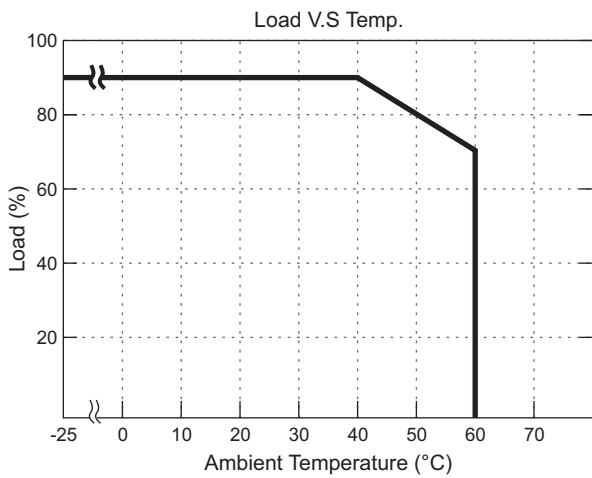
Function Description

Pin No.	Function	Description	Pin No.	Function	Description
1	VS+	Remote sense (+)	13	ACI	I Program
2	VO+	Positive output voltage	14	GND	Ground
3	VS-	Remote sense (-)	15	VCI	V Program
4	VO-	Negative output voltage	16	GND	Ground
5	POK	Power OK	17	5VS	+5V / 0.5A Auxiliary power
6	GND	Ground	18	GND	Ground
7	PAR	Parallel operation current share	19	SCL	Serial Data used in the I ² C interface
8	GND	Ground	20	SDA	Serial Data used in the I ² C interface
9	EN-	Inhibit ON/OFF (-)	21	5VS	+5V / 0.5A Auxiliary power
10	GND	Ground	22	GND	Ground
11	EN+	Inhibit ON/OFF (+)	23	RXD	RS232 Receiver
12	5VS	+5V / 0.5A Auxiliary power	24	TXD	RS232 Transmission

LED Status

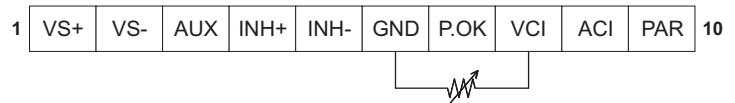
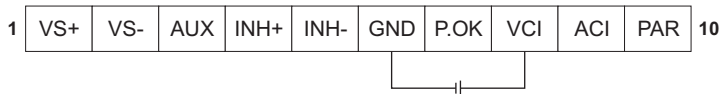
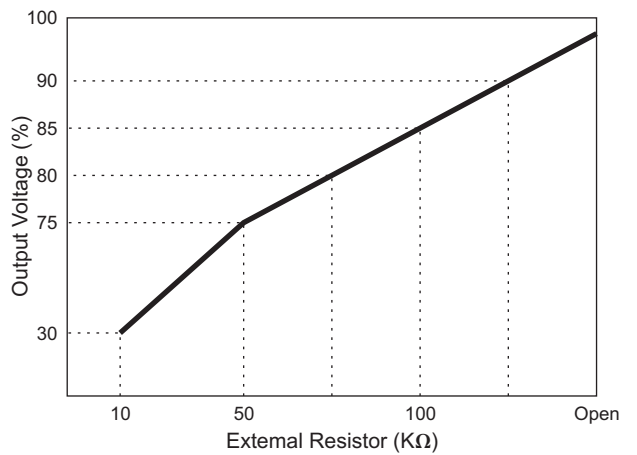
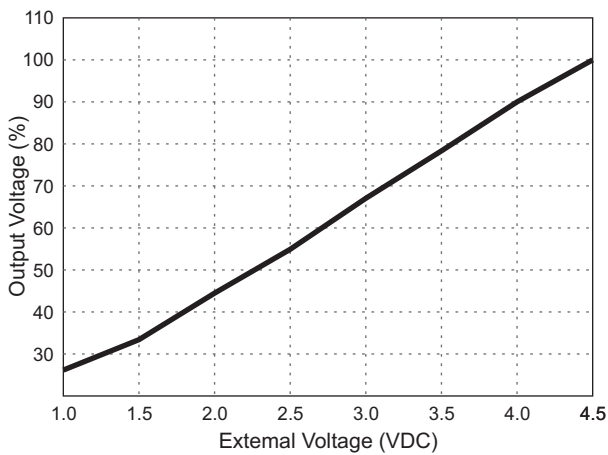
Green LED	LED Signal	Status
Solid		Power OK
Slow Blink		Power Standby
Red LED	LED Signal	Status
Fast Blink		Over Voltage Protection (OVP)
Solid		Over Load Protection (OLP)
		Output Shorted Circuit Protection (SCP)
		Under Voltage Protection (UVP)
Slow Blink		Over Temperature Protection (OTP)
Intermittent Blink		Fan Failure
Interlace Blink		Power Failure

De-rating Curve

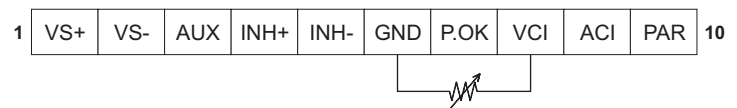
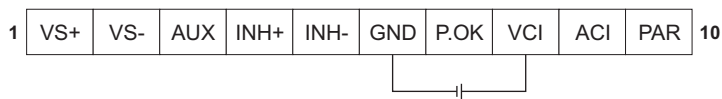
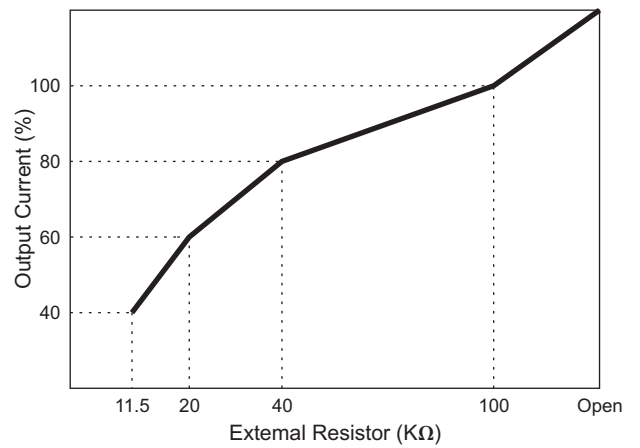
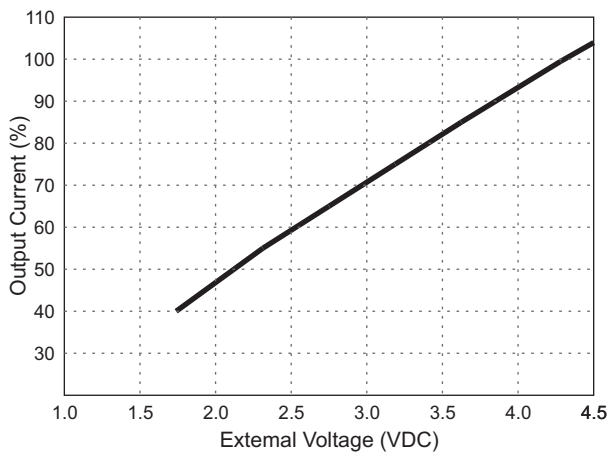


Function Manual

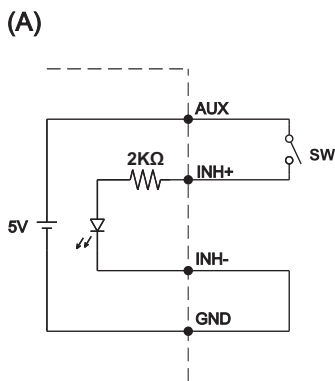
1. Output Voltage Trim



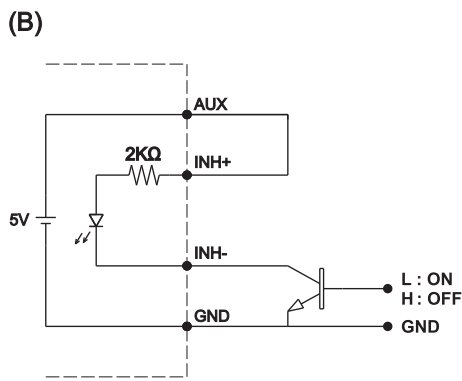
2. Output Current Trim



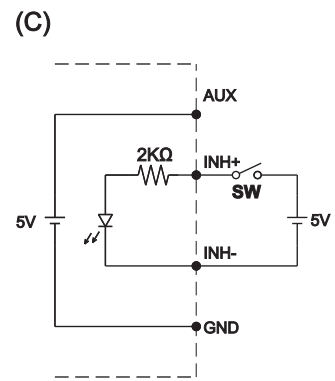
3. Remote ON/OFF



(A) Using internal 5V auxiliary source

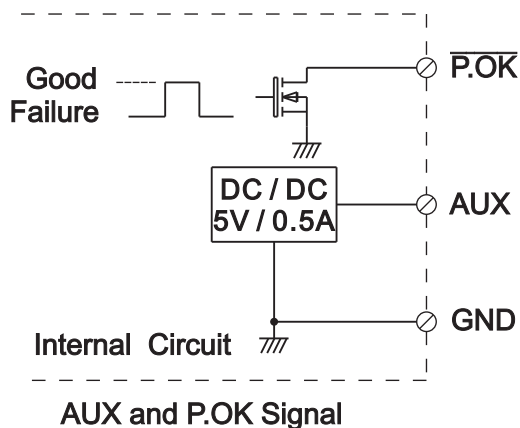


(B) ON / OFF Control by NPN transistor



(C) Using external voltage source

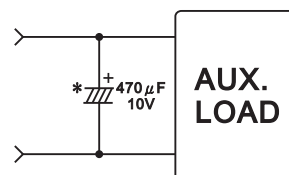
4. Power OK Signal



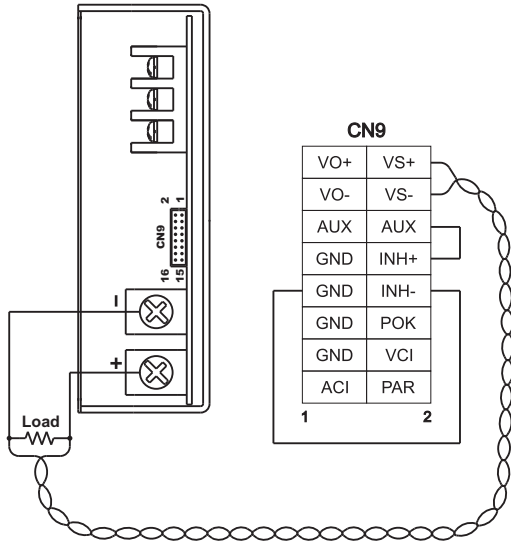
AUX and P.O.K Signal

*Place an additional capacitor to have a better performance of auxiliary power operation.

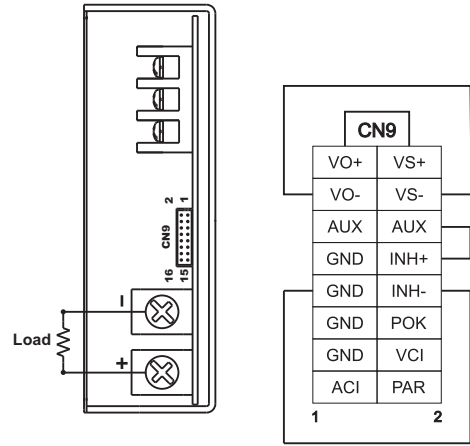
*The grounding of "AUX" power should be connected to "GND" port. If "V-" is connected as Grounding, make sure to short the GND and V- ports.



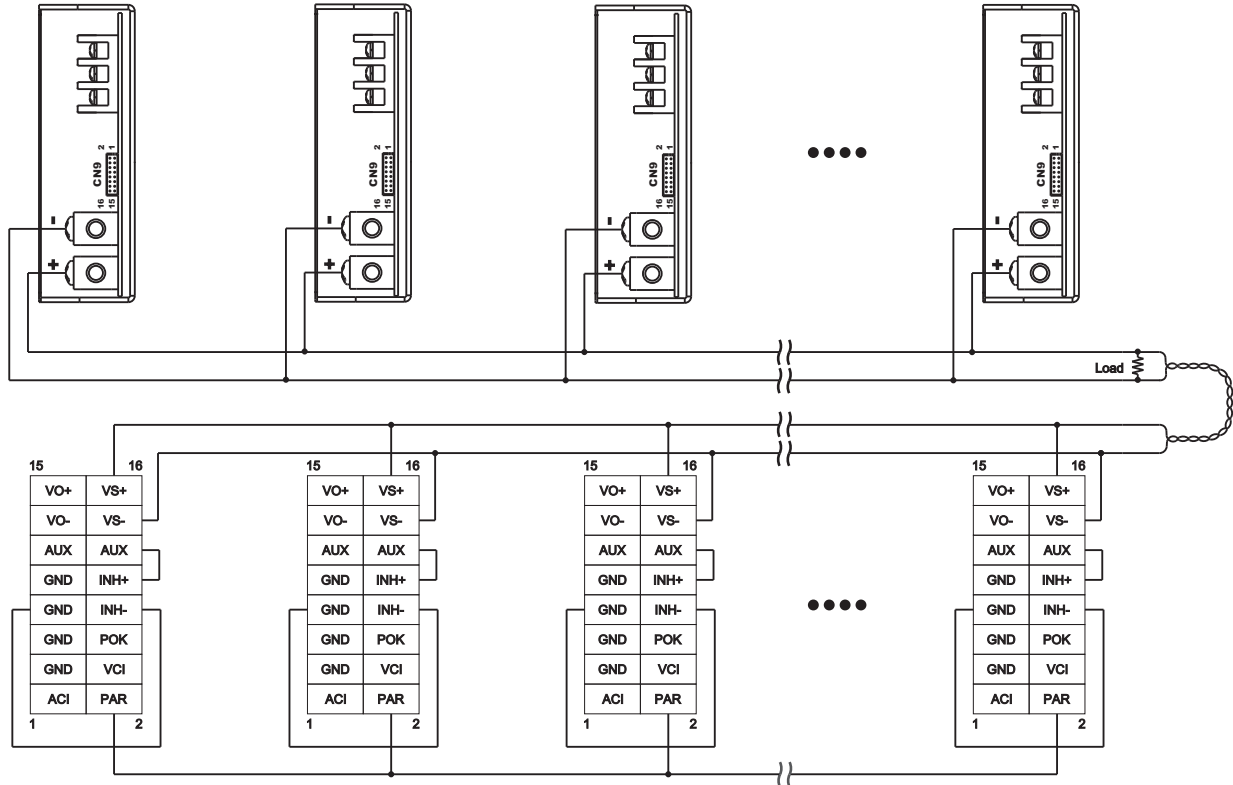
5. Remote Sense



6. Local Sense



7. Current Sharing with Remote Sensing



8. Current Sharing with Local Sensing

