

KEY FEATURES

- Switching Power Module for PCB Mountable
- Fully Encapsulated Plastic Case
- Universal Input Range 90-264VAC, 47-440 Hz
- Regulated Output
- Low Ripple and Noise
- Screw Terminal For Optional
- CE, UL Approval
- 3-Year Product Warranty



ELECTRICAL SPECIFICATIONS

All specifications valid at normal input voltage, full load and +25°C after warm-up time unless otherwise stated.

Model No. (Single Output)	ANC-5S A-E1	ANC-12S A-E1	ANC-15S A-E1	ANC-24S A-E1	
Max Output Wattage (W)	15W	15W	15W	15W	
Input	Voltage				
	90-264 VAC or 120-370 VDC				
	Frequency (Hz)				
	47-440 Hz				
	Current (Full load)				
	310 mA max. (115 VAC) / 170 mA max. (230 VAC)				
Inrush Current (<2ms)					
23 A max. (115 VAC) / 46 A max. (230 VAC)					
Leakage Current					
0.75 mA max.					
External Fuse (recommend)					
1.5 A slow blow type					
Output	Voltage (V.DC.)	5V	12V	15V	24V
	Voltage Accuracy	±2%			
	Current (mA) max	3000	1250	1000	625
	Line Regulation (LL-HL) (typ.)	±0.5%			
	Load Regulation (5-100%) (typ.)	±0.5%			
	Minimum Load	4%	2%	0%	0%
	Maximum Capacitive Load	31000 uF	4500 uF	2700 uF	900 uF
	Ripple	<0.2% Vout +40mV max (Vp-p)			
	Noise	<0.5% Vout +50mV max (Vp-p)			
	Efficiency	74%	79%	78%	80%
	Hold-up Time	15 ms min.			
Switching Frequency	100 kHz				
Protection	Over Power Protection	Hiccup technique, auto-recovery			
	Over Voltage Protection	Zener diode clamp			
	Short Circuit Protection	Hiccup mode, indefinite (automatic recovery)			
Isolation	Input-Output (V.AC)	3000V			
	Input-FG (V.AC)	1500V			
	Output-FG (V.AC)	500V			
Environment	Operating Temperature	-40°C...+70°C (with derating)			
	Storage Temperature	-40°C...+85°C			
	Temperature Coefficient	±0.02%/°C			
	Humidity	95% RH			
	MTBF	>200,000 h @ 25°C (MIL-HDBK-217F)			
Physical	Dimension (L x W x H)	2.91 x 2.13 x 0.86 Inches (74.1 x 54.1 x 21.8 mm) Tolerance ±0.5 mm			
	Case Material	Plastic resin with Fiberglass (flammability to UL 94V-0)			
	Weight	114 g			
	Cooling Method	Free air convection			
Safety	Agency Approvals	UL/cUL, CE			
EMC	EMI (Conducted & Radiated Emission)	EN 55022 class B			
	EMS (Noise Immunity)	EN 55024			

ELECTRICAL SPECIFICATIONS

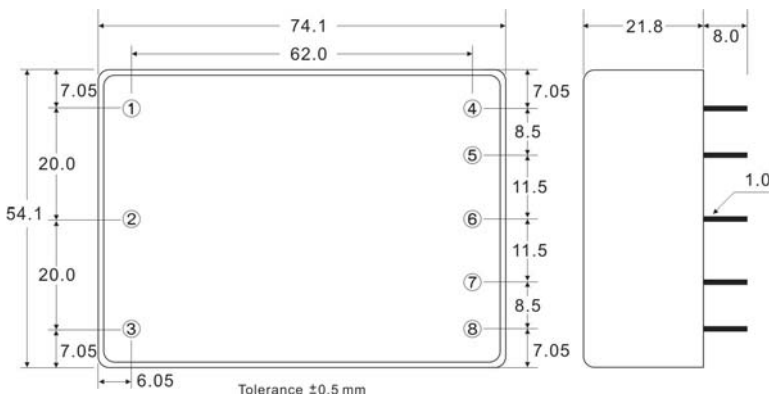
All specifications valid at normal input voltage, full load and +25°C after warm-up time unless otherwise stated.

Model No. (Dual / Triple Output)	ANC-5D A -E1	ANC-12D A -E1	ANC-15D A -E1	ANC-5S12D A -E1	ANC-5S15D A -E1	
Max Output Wattage (W)	15W	15W	15W	15W	15W	
Input	Voltage					
	90-264 VAC or 120-370 VDC					
	Frequency (Hz)					
	47-440 Hz					
	Current (Full load)					
	310 mA max. (115 VAC) / 170 mA max. (230 VAC)					
Output	Inrush Current (<2ms)					
	23 A max. (115 VAC) / 46 A max. (230 VAC)					
	Leakage Current					
	0.75 mA max.					
	External Fuse (recommend)					
	1.5 A slow blow type					
	Voltage (V.DC.)					
	±5V		±12V	±15V	5/±12	5/±15
	Voltage Accuracy					
	±5%				±3%	
	Current (mA) max					
	±1500		±650	±500	2000/±200	2000/±150
	Line Regulation (LL-HL) (typ.)					
	±0.5%				±1% / ±5%	
Load Regulation (5-100%) (typ.)						
±3%				±2% / ±5%		
Minimum Load						
0%				5V 10% (200 mA)		
Maximum Capacitive Load						
±13500 uF		±2700 uF	±1400 uF	14000 / ±900 uF	14000 / ±680 uF	
Ripple						
<0.2% Vout +40mV max (Vp-p)						
Noise						
<0.5% Vout +50mV max (Vp-p)						
Efficiency						
76%		79%	77%	73%	73%	
Hold-up Time						
15 ms min.						
Switching Frequency						
100 kHz						
Protection	Over Power Protection					
	Hiccup technique, auto-recovery					
	Over Voltage Protection					
Zener diode clamp						
Short Circuit Protection						
Hiccup mode, indefinite (automatic recovery)						
Isolation	Input-Output (V.AC)					
	3000V					
	Input-FG (V.AC)					
1500V						
Output-FG (V.AC)						
500V						
Environment	Operating Temperature					
	-40°C...+70°C (with derating)					
	Storage Temperature					
	-40°C...+85°C					
	Temperature Coefficient					
±0.02%/°C						
Humidity						
95% RH						
MTBF						
>200,000 h @ 25°C (MIL-HDBK-217F)						
Physical	Dimension (L x W x H)					
	2.91 x 2.13 x 0.86 Inches (74.1 x 54.1 x 21.8 mm) Tolerance ±0.5 mm					
	Case Material					
	Plastic resin with Fiberglass (flammability to UL 94V-0)					
Weight						
114 g						
Cooling Method						
Free air convection						
Safety	Agency Approvals					
UL/cUL, CE						
EMC	EMI (Conducted & Radiated Emission)					
	EN 55022 class B					
EMS (Noise Immunity)						
EN 55024						

NOTE

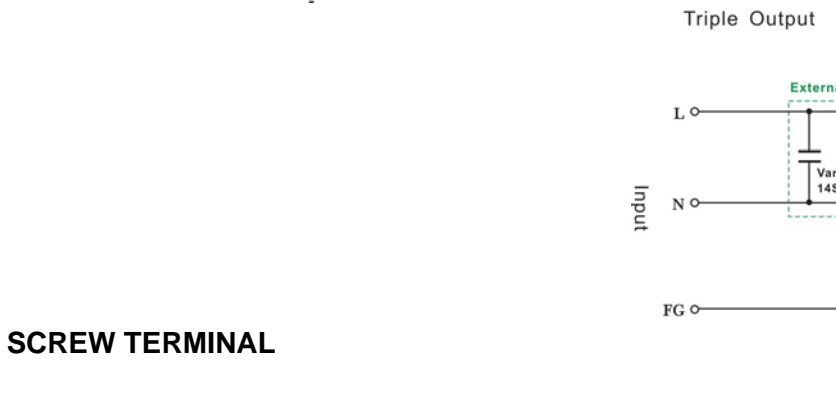
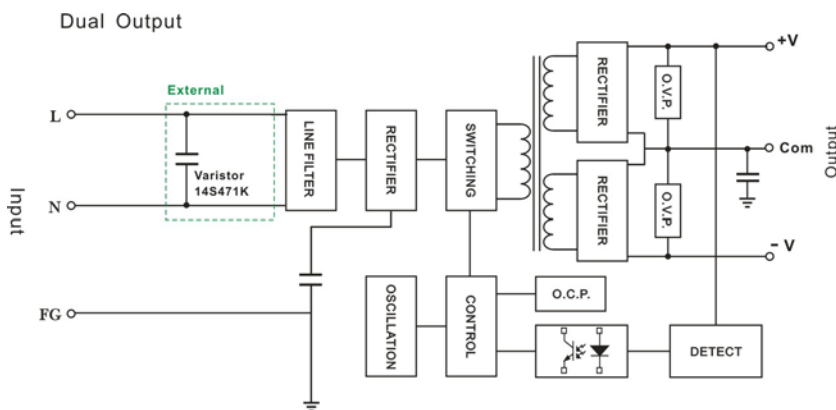
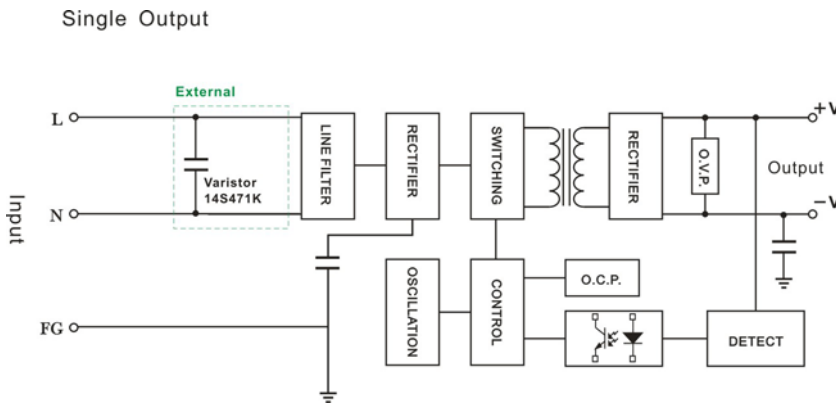
- Ripple & Noise are measured at 20MHz of bandwidth with 0.1uF & 47uF parallel capacitor.
- It's recommended to add Varistor 14S471K at L / N input side in parallel.

MECHANICAL DIMENSION (Top View)

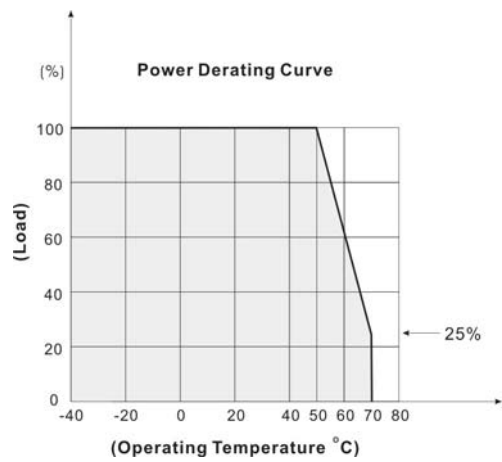


PIN#	Single	Dual	Triple
1	FG	FG	FG
2	AC IN (N)	AC IN (N)	AC IN (N)
3	AC IN (L)	AC IN (L)	AC IN (L)
4	NO PIN	NO PIN	-DC OUT
5	-DC OUT	-DC OUT	COMMON
6	NO PIN	COMMON	+DC OUT
7	+DC OUT	+DC OUT	+5V RTN
8	NO PIN	NO PIN	+5V OUT

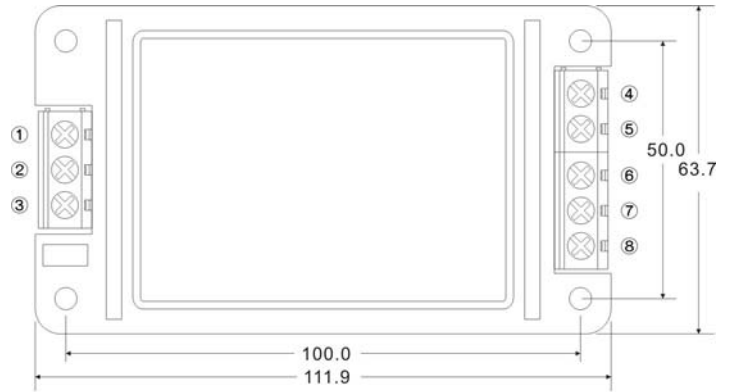
BLOCK DIAGRAM



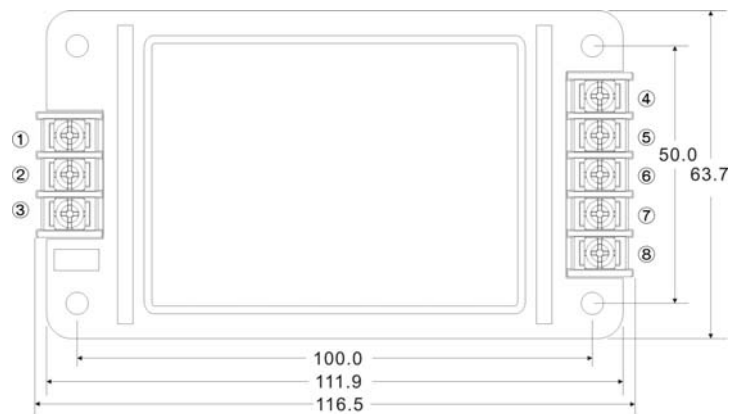
DERATING



SCREW TERMINAL

ANC A-E1 SERIES
15 Watts
ANC-E1-A2


PIN#	Single	Dual	Triple
1	FG	FG	FG
2	AC IN (N)	AC IN (N)	AC IN (N)
3	AC IN (L)	AC IN (L)	AC IN (L)
4	NO CONNECT	NO CONNECT	-DC OUT
5	-DC OUT	-DC OUT	COMMON
6	NO CONNECT	COMMON	+DC OUT
7	+DC OUT	+DC OUT	+5V RTN
8	NO CONNECT	NO CONNECT	+5V OUT


ANC-E1-A5


PIN#	Single	Dual	Triple
1	FG	FG	FG
2	AC IN (N)	AC IN (N)	AC IN (N)
3	AC IN (L)	AC IN (L)	AC IN (L)
4	NO CONNECT	NO CONNECT	-DC OUT
5	-DC OUT	-DC OUT	COMMON
6	NO CONNECT	COMMON	+DC OUT
7	+DC OUT	+DC OUT	+5V RTN
8	NO CONNECT	NO CONNECT	+5V OUT

